

L-MOOV

Your portable laser marking solution
at your fingertips

VERSATILE

SECURE

INTUITIVE

SECURE AND CERTIFIED CLASS 1

- ➔ Usable without protective goggles in your work environment
- ➔ Guaranteed safety for the operator and surrounding employees
- ➔ Unique patented system certified and inspected by an independent organization



MARKING ON ALL TYPES OF PARTS



- ➔ Marking heavy and bulky parts without handling them
- ➔ Allows marking of any part geometry thanks to versatile support noses
- ➔ Replaces a bulky secure station

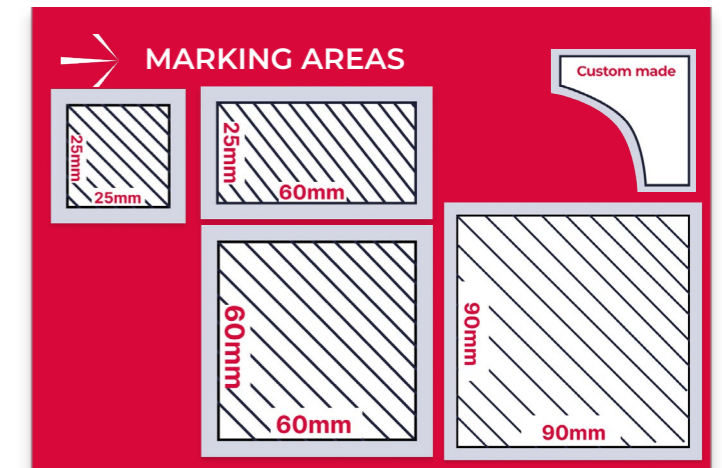
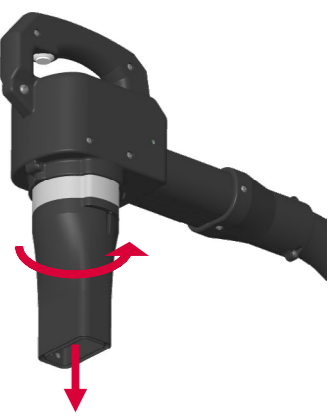
EASY TO USE

- ➔ Robust, lightweight, and ergonomic
- ➔ Effortless setup and marking initiation with a simple trigger
- ➔ Control software allowing simplified data entry via barcode reader

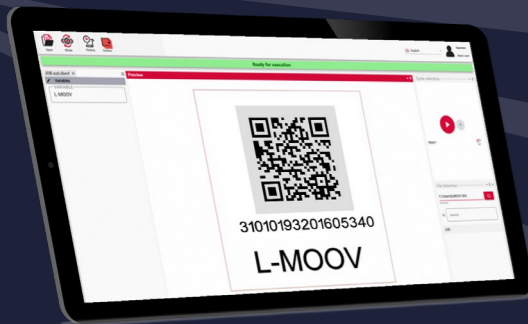


FLEXIBILITY & VERSATILITY

- ➔ Interchangeable noses for optimum modularity
- ➔ Customized nose development for specific shapes
- ➔ Quick nose change: quarter-turn system



SFA - User-friendly and intuitive software



- Easily adapts to your production management system
- Simplified and error-free data entry for marking with a barcode reader
- Operator-friendly and simplified mode
- History of marked data with duplicate management

➔ 2 OPTIONS

Transport Cart

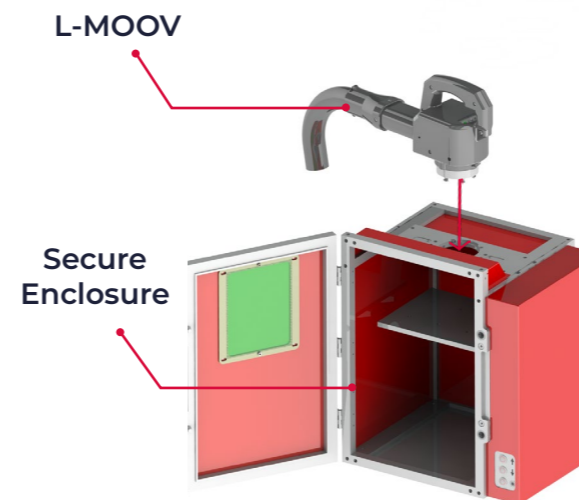
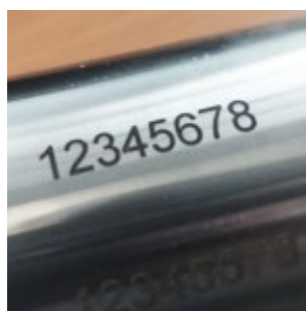
- More mobility
- Integrates all accessories (PC, controller, head, and nose)



CONTRASTING AND AESTHETIC MARKING

- ➔ Easy and error-free reading of your QR codes and datamatrix

- ➔ Aesthetic marking of text and logos



Workstation dimensions : 350x350x550mm

Marking Station

- Transforms into a LASER marking station with a single movement
- Equipped with a motorized platform for easy and quick adjustment, allowing you to mark small-sized parts

→ TECHNICAL SPECIFICATION

Laser technology	Fiber
Power	20W/30W
Electrical Supply	100-240 V AC
Compressed Air Supply	3 to 6 bars
Weight of the marking head	2,5 kg
Cable length between the head and the controller	2,4 m

A RELIABLE AND PROVEN TECHNOLOGY

- Designed and manufactured in Europe
- Fiber laser, long component lifespan $\geq 100,000$ hours
- No maintenance required
- 2-year warranty



The mark of quality

CONTACT US

World leader for marking & traceability solutions