

# PORTABLE LASER SYSTEMS

## L-MARK 20w/30w



### + TOUCH SCREEN OPERATION

- Easy start, one key start
- Integrated control system
- Touch screen operation

### + MAINTENANCE FREE

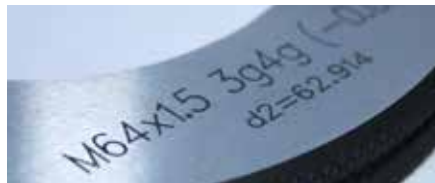
- Long life fiber laser source (>100 000 Hours)
- Maintenance free for laser source
- Laser source power (20w/30w) available

### + PORTABLE

- Compact structure, marking head weight  $\leq$  2kgs
- Portable device for mobile use



## MARKING SAMPLES



## APPLICATION

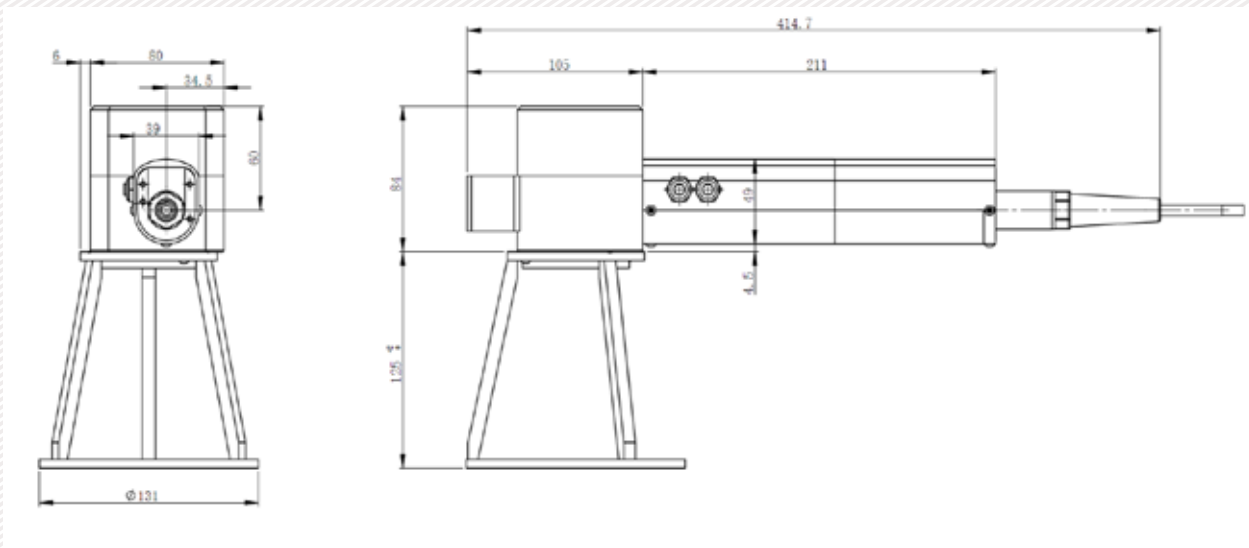


Marking on  
Various metals and plastic parts



# MECHANICAL FEATURES

L-MARK	
Marking window	70*70mm /110*110mm (Please contact SIC if any special needs)
Weight	Controller: 10.5Kg - Marking head 2Kg
Power consumption	750W
Software	SIC LASER PC



# FIBER LASER CONTROL UNIT

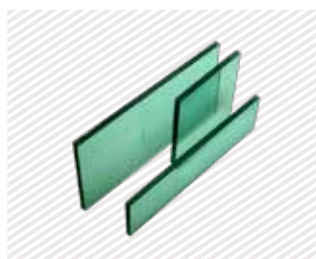


- + Touch screen integrated control system  
 Fiber laser controlled by 'SIC LASER' PC
  - + USB Port  
 Windows System
- Work Mode: pulse laser(frequency adjustable)
  - Power: 750 W
  - Wave Length: 1064 nm
  - Ave. Power: 20 W or 30 W (Please contact SIC if any special needs)
  - Peak Power: 10 kW
  - Cooling Method: air cooling

# OPTION & ACCESSORY



Fume Exhauster



Laser Protective Glass



Laser Goggles



Column